



TOP-HAT™

MODULAR GRID SYSTEM



Top-Hat Modular is a lightweight modular aluminium grid system, available in three module sizes and with pre-mitred cross tee intersections. This system suits a range of NCS tiles, both mineral fibre and metal. Extruded from 6063 T5 grade aluminium, with a clean white polyester powder coat finish, this modular system is easy to install, and compatible with the NCS seismic product range.

APPLICATIONS:

- Offices
- Conference rooms
- Classrooms
- Hospitality & retail areas
- Clinics

SHORT SPECIFICATION

Suspended grid ceiling shall comprise NCS Top-Hat Modular aluminium exposed grid system, in white; module size [specify 1200 × 1200mm, 1350 × 1350mm, or 1500 × 1500mm]. All NCS grid materials meet the requirements of the Australian Standard AS/NZS 2785:2020 Suspended Ceilings Design and Installation.

TECHNICAL INFORMATION

SECTION	PART	MODULE SIZE	BOX QTY	COLOUR	DIMENSIONS	LENGTH	PIECES / 100m ²	ITEM NO.
	Main tee	1200 × 1200mm	20	White	32 × 45mm	3600mm	23	THM36
	Cross tee		20			1200mm	68	THC12
	Main tee	1350 × 1350mm	20	White	32 × 45mm	4050mm	18	THM405
	Cross tee		20			1350mm	54	THC135
	Main tee	1500 × 1500mm	20	White	32 × 45mm	4500mm	15	THM45
	Cross tee		20			1500mm	44	THC15
	C-spline	1200 × 1200mm		White	35 × 11mm	1188mm	278	CS12
		1350 × 1350mm				1338mm	219	CS135
		1500 × 1500mm				1488mm	177	CS15

PERIMETERS & ACCESSORIES



SWA-36
Plain wall angle



SWAS-36
Shadowline wall angle



MTJB
Main tee joiner



SRIC
Roll-in clip

CLEANING RECOMMENDATIONS

Use a clean cloth, dampened with water or a mild detergent. Profiles can be removed for cleaning and maintenance, and damaged profiles can be replaced.

MATERIAL

Rust-resistant aluminium alloy, grade 6063 T5.

FINISHING

White powder coat.

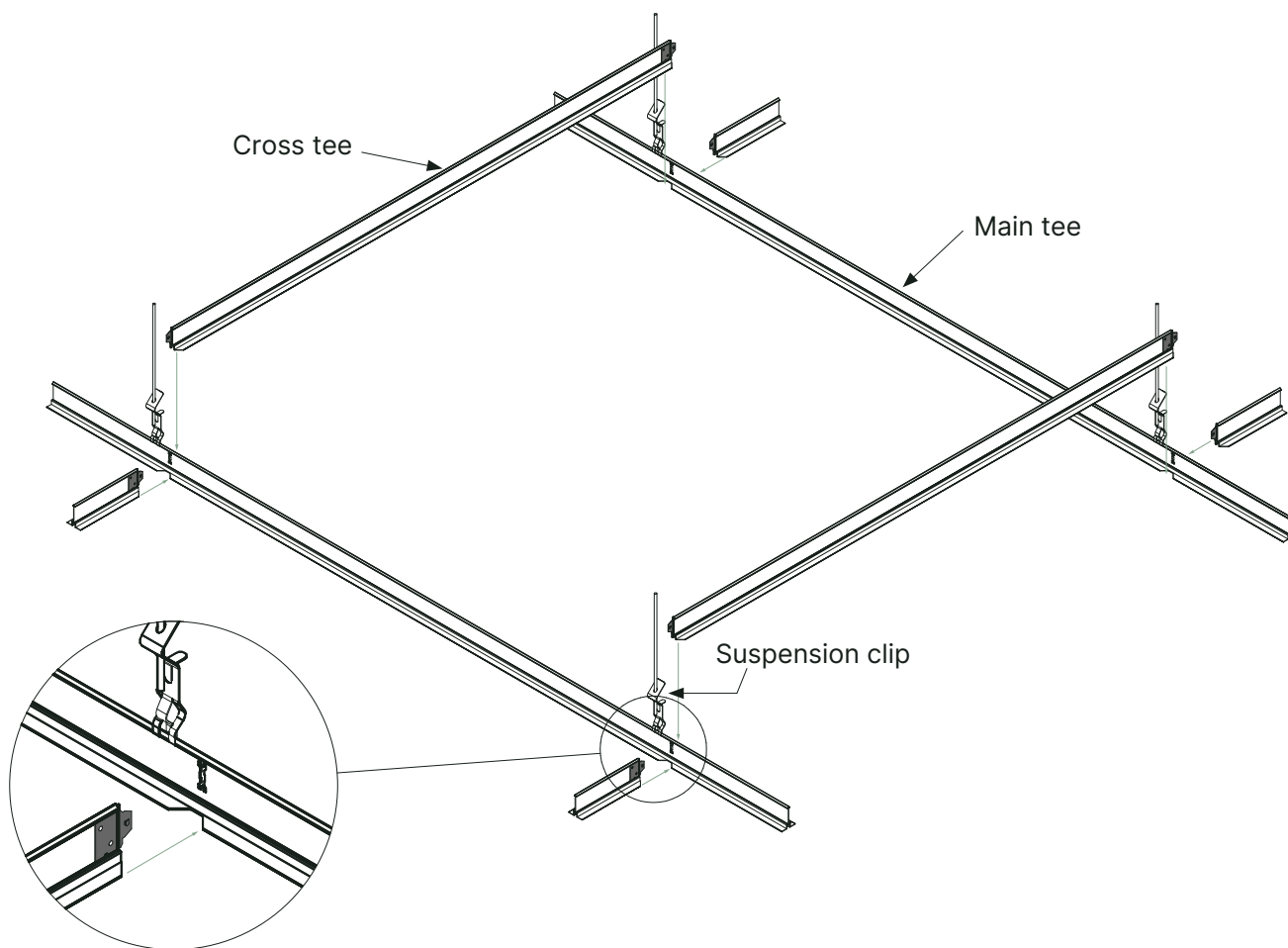
COMPLIANCE

This system is compliant with the AS/NZS 2785:2020 Suspended Ceiling Code.

RECYCLED CONTENT

25%

AXONOMETRIC DIAGRAM



MAIN TO CROSS TEE CONNECTION

